

Aluminum Horizontal Conveyor



Prodeva, Inc. designs and builds equipment to last. Our aluminum line is constructed of formed 3/16" thick aluminum plate sides and rails that are bolted together with steel cross members. This is the same design as our heavy duty steel channel iron conveyors and it gives us the most rigid design in the industry.

Box filling, under the press, robot indexing, cooling. The list of things the Prodeva horizontal aluminum conveyors can be used for is limitless. And because of the rugged design they will be able to do these jobs for many years to come. With standard sizes ranging from 6" to 60" and in length from 3' to 50' there are few jobs these conveyors can't handle.

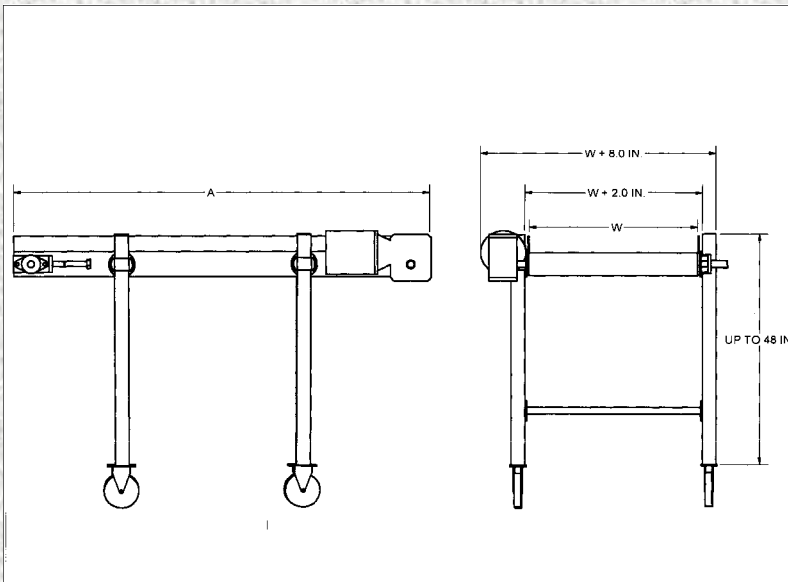


Prodeva, Inc.

Quality Conveyors Since 1958

Standard Features

- 3/16" formed Aluminum Plate
- Side rails overlap belt by 1/2" per side
- 3 1/4" diameter v-groove pulleys
- PVC 120 belting with v-guide non marking white FDA belt
- Shaft mounted gear box
- 1/4 HP to 1 HP motors
- Self aligning bearings
- Screw type take ups
- Adjustable legs
- Mounted on casters
- 3" high side rails
- On/off toggle switch
- 15' power cord



W = Belt width

A = Length of belt

Standard Lengths 3' to 50'

Standard Widths 6" to 60" in 3" increments

Standard Options

- Variable speed control
- Indexing control
- Reversing control
- Cooling tunnels
- Alternate motor locations
- Higher or lower side rails
- Soft drop zones
- Specialty belting
- Robot guarding

For three generations, Prodeva, Inc. has produced products that withstand the most extreme conditions. We manufacture our conveyors from only the highest quality materials and back them with a TWO YEAR warranty. In addition to the standard line, we will custom design conveyors to fit your needs. The next time you have a conveyor project call Prodeva, so we can use our nearly 50 years of experience to design manufacture and install your system.



Prodeva, Inc.
100 Jerry Dr.
Jackson Center, OH 45334
800-999-3271
937-596-5145 FAX