



CAN & GLASS CRUSHER

MODEL **270**



- ▶ Rated capacities of Model 270:
 - 2500 lbs. of Aluminum cans per hour
 - 5000 lbs. of Steel cans per hour
 - 5 ton of Glass per hour
- ▶ Safety engineered throughout.
- ▶ Factory direct parts and service.
- ▶ Overload compression springs to prevent jamming.
- ▶ Model 270 will crush cans and glass up to and including 5 gallon.

A proven PRODEVA performer in our line for over 34 years. Unit is ideal for can manufacturers, recycling centers, bottlers and breweries. In fact anywhere glass containers, beverage cans or food containers are a problem. Model 270 is user friendly; easy to maintain and requires no change in machine set-up to crush cans or glass. Built for hard use and trouble-free operation with minimal maintenance or up-keep. Backed by PRODEVA's proven experience in manufacturing quality size-reduction equipment.



Crusher MODEL 270

- ▶ Constructed of 3/8" steel plate
- ▶ 10 HP 230/460/60/3
- ▶ Infeed and discharge conveyors are available
- ▶ All moving parts enclosed
- ▶ Removable side panels for easy maintenance
- ▶ Crushes glass into recyclable cullet
- ▶ Flattens cans, and crushes plastic bottles
- ▶ Available with casters
- ▶ Available with blowers for aluminum and bi-metal cans

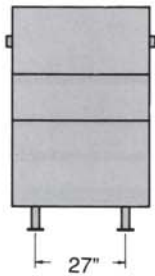


MODEL
270

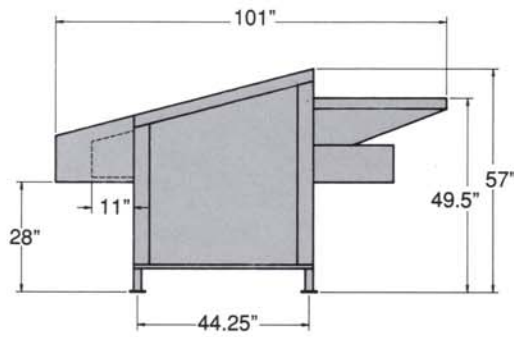
PRODEVA PROFILE

PRODEVA, Inc., with nearly 40 years experience in the size reduction field, offers a complete line of crusher and shredder models for processing bottles, cans (aluminum or steel), plastic and glass. Our equipment is used world-wide for recovery, recycling, scrap, and disposal facilities, both public and private. All are engineered and field-tested for profitable operations.

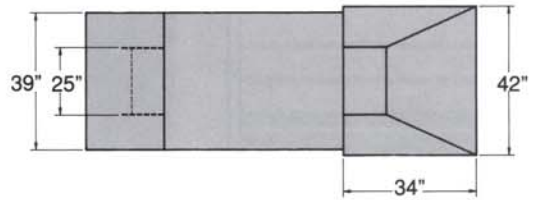
▶ STANDARD SPECIFICATIONS



END VIEW



SIDE VIEW



TOP VIEW

1 Year Written Warranty

All Prodeva brand equipment carries a warranty on workmanship and materials, provided equipment is used for its intended use and maintained properly.

We reserve the right to repair or replace parts at our option. Ask for further details, Prodeva, Inc., also, reserves the right to improve or alter products without prior notice.

Call Prodeva for help or further information

Should you have any questions about the above Model's operating features and its suitability for your needs.



Since 1958

PRODEVA, INC.

100 Jerry Drive, Jackson Center, Ohio 45334-0729
 Phones: 1-800-999-3271 or 937-596-6713 FAX: 937-596-5145
<http://www.prodeva.com> E-mail: sbunke@prodeva.com